



US007431849B1

(12) **United States Patent**
Swearingen et al.

(10) **Patent No.:** **US 7,431,849 B1**
(45) **Date of Patent:** **Oct. 7, 2008**

(54) **ENCAPSULATED REACTANT AND PROCESS**

(75) Inventors: **Jason Swearingen**, Elizabeth, IN (US);
Lindsay Swearingen, Elizabeth, IN (US)

(73) Assignee: **Specialty Earth Sciences LLC**, New Albany, IN (US)

(*) Notice: Subject to any disclaimer, the term of this patent is extended or adjusted under 35 U.S.C. 154(b) by 424 days.

(21) Appl. No.: **11/072,118**

(22) Filed: **Mar. 4, 2005**

Related U.S. Application Data

(60) Provisional application No. 60/550,799, filed on Mar. 5, 2004.

(51) **Int. Cl.**
C02F 1/70 (2006.01)
C02F 1/72 (2006.01)

(52) **U.S. Cl.** **210/749**; 210/757; 210/758; 210/759; 210/763

(58) **Field of Classification Search** 428/402.2, 428/402.21, 402.22, 402.24; 210/757, 758, 210/759, 763, 721, 723, 749, 747; 405/128.5, 405/128.75, 128.25

See application file for complete search history.

(56) **References Cited**

U.S. PATENT DOCUMENTS

3,909,444	A *	9/1975	Anderson et al.	428/402.24
4,201,822	A *	5/1980	Cowsar	442/64
4,268,395	A *	5/1981	Stewart	210/749
4,842,761	A *	6/1989	Rutherford	510/297
5,069,972	A *	12/1991	Versic	428/407

5,437,331	A	8/1995	Gupta et al.	
5,755,977	A *	5/1998	Gurol et al.	210/759
5,827,531	A *	10/1998	Morrison et al.	424/450
5,849,201	A	12/1998	Bradley	
5,855,775	A	1/1999	Kerfoot	
6,083,407	A	7/2000	Kerfoot	
6,102,621	A	8/2000	Siegrist et al.	
6,268,205	B1	7/2001	Kiest et al.	
6,312,605	B1	11/2001	Kerfoot	
6,326,335	B1 *	12/2001	Kowalski et al.	507/241
6,333,021	B1 *	12/2001	Schneider et al.	424/9.52
6,474,908	B1	11/2002	Hoag et al.	
6,780,329	B2	8/2004	Kerfoot	
6,787,034	B2 *	9/2004	Noland et al.	210/763
6,827,861	B2	12/2004	Kerfoot	
6,858,666	B2	2/2005	Harmer et al.	
6,872,318	B2	3/2005	Kerfoot	
7,247,374	B2 *	7/2007	Haggquist	428/403
2003/0146530	A1 *	8/2003	Vaghefi et al.	264/4.1
2003/0152637	A1 *	8/2003	Chasin et al.	424/501
2003/0160209	A1 *	8/2003	Hoffman et al.	252/186.27
2004/0197150	A1	10/2004	Bruell et al.	

* cited by examiner

Primary Examiner—Matthew O. Savage

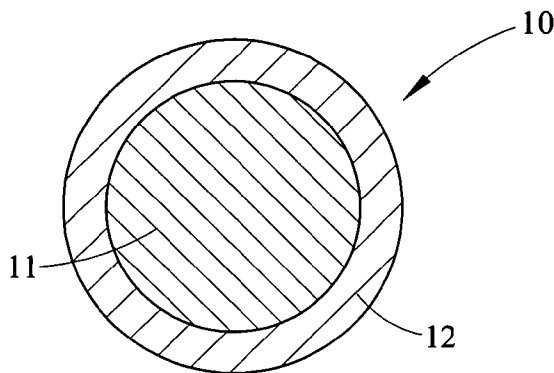
Assistant Examiner—Lucas Stelling

(74) *Attorney, Agent, or Firm*—Alexander Brackett; Middleton Reutlinger

(57) **ABSTRACT**

An encapsulated reactant(s) having at least one encapsulant and at least one reactant. An outermost encapsulant is substantially nonreacting, impermeable and nondissolving with water. The reactant(s) contribute to at least one reaction with contaminants in environmental media rendering the environmental media less harmless. Processes for using the encapsulated reactant in environmental media is also hereby claimed.

11 Claims, 1 Drawing Sheet



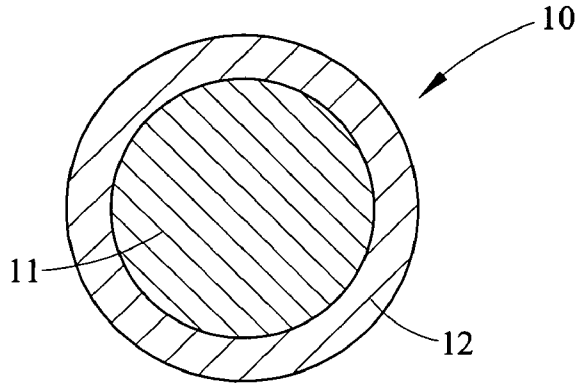


FIG. 1

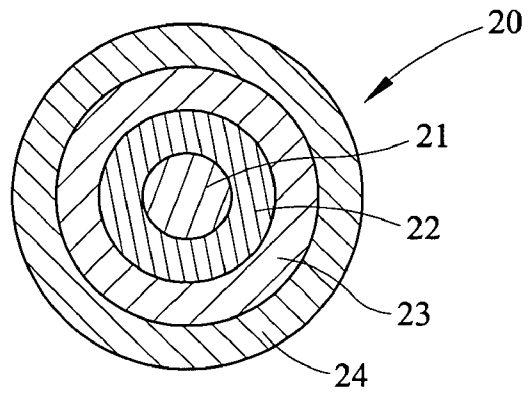


FIG. 2

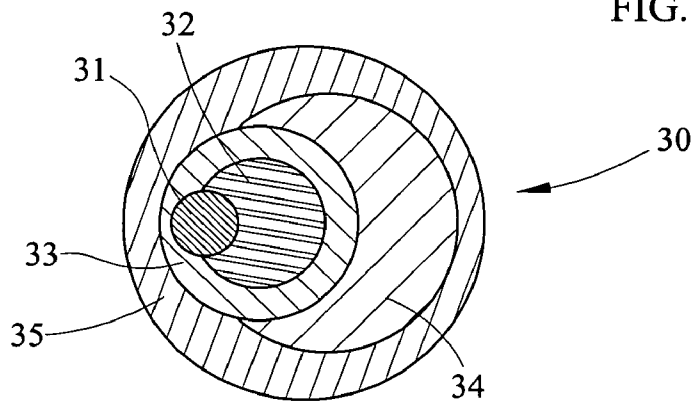


FIG. 3

1

ENCAPSULATED REACTANT AND PROCESS**CROSS-REFERENCE TO RELATED APPLICATIONS**

This application claims benefit under 35 USC 119(e) to U.S. Provisional Patent Application 60/550,799, filed on Mar. 5, 2004

STATEMENT REGARDING FEDERALLY SPONSORED RESEARCH OR DEVELOPMENT

Not applicable.

FIELD OF INVENTION

The present invention relates to reactant(s) and methods for the in situ and ex situ remediation of hazardous organic compounds in soil, groundwater, and surface water.

BACKGROUND OF THE INVENTION

Discharges of hazardous organic compounds into the environment have lead to contamination of surface water, soil, and aquifers resulting in potential public health problems and degradation of the land for future use. As used in this specification and appended claims, hazardous organic compound means a chemical or substance that is either toxic or highly toxic, an irritant, corrosive, a strong oxidizer, a strong sensitizer, combustible, either flammable or extremely flammable, dangerously reactive, pyrophoric, pressure-generating, a compressed gas, a carcinogen, a teratogen, a mutagen, a reproductive toxic agent, or is suspected of having adverse health effects on humans. In many cases, subsurface groundwater contaminant plumes may extend hundreds to thousands of feet from the source area of chemical release resulting in extensive contamination. These chemical contaminants may then be transported into drinking water sources, lakes, rivers, and even basements of homes.

The U.S. Environmental Protection Agency (USEPA) has established maximum concentration limits (MCL's) for various hazardous organic compounds in water and soils. For instance, stringent drinking water limits placed on many solvent organic compounds in water can be as low as 0.005 µg/L (parts per billion).

The presence of hazardous organic compounds in subsurface soils, surface water, and groundwater is a well-documented and extensive problem. The source of these hazardous materials is often times from industry where the materials are released onto the soil surface or surface water or even into the subsurface soil and/or groundwater through leaking storage tanks. Many, if not most, of these organic compounds are capable of moving through the soil under the influence of moving water, gravity, or capillary action and serve as a source of groundwater contamination. As used in this specification and appended claims, soil is to be interpreted broadly to include all naturally occurring material found below ground surface (e.g. silts, clays, sands, rock, karsts, organics, tills, etc.).

Soil, surface water, groundwater, and wastewater can become contaminated by a variety of substances. The substances include, without limitation, volatile, semi-volatile, and non-volatile organic compounds. Common examples of such contaminants include PCBs, gasoline, oils, wood preservative wastes, and other hazardous organic compounds. Such other hazardous organic compounds may include, but not limited to, chlorinated solvents (such as trichloroethylene

2

(TCE), vinyl chloride, tetrachloroethylene (PCE), dichloroethanes), ethylene dibromide, halobenzenes, polychlorinated biphenyls, acetone, ter-butyl alcohol, tert-butyl formate, and anilines. Additional contaminants include compounds containing at least one oxidizable aliphatic or aromatic compound and/or functional group (e.g. atrazine, benzene, butyl mercaptan, chlorobenzene, chloroethylvinyl ether, chloromethyl methyl ether, chlorophenol, chrysene, cyanide ion or organic cyanides, dichlorophenol, dichlorobenzene, dichloroethane, dichloroethene, dichloropropane, dichloropropene, ethyl alcohol, ethylbenzene, ethylene glycol, ethyl mercaptan, hydrogen sulfide, isopropyl alcohol, Lindane™, methylene chloride, methyl tert-butyl ether, naphthalene, nitrobenzene, nitrophenol, pentachlorophenol, phenanthrene, phenol, propylene, propylene glycol, Silvex™, Simazine™, sodium sulfide, tetrachloroethane, tetrachloroethene, toluene, trichlorobenzene, trichloroethane, trichloroethene, trichlorophenol, vinyl chloride, xylene, etc).

Contaminated soil, surface water and groundwater must be removed or treated to make it less toxic and to meet USEPA requirements. There are a variety of reactants and methods for treating contaminated soil, surface water, groundwater, and wastewater as discussed below.

Peroxydisulfate's have been reported as applied constituents for organic carbon digestion or decomposition. Application methods include thermally activated persulfate oxidation in conjunction with an electro-osmosis system to heat and transport persulfate anions into soils.

Permanganate(s) and peroxygen(s) reactant(s) have also been reported as applied constituents for oxidation of organic compounds. Peroxygen compound(s) applied independently or in conjunction with a metallic salt catalyst(s) (complexed and not complexed; chelated and not chelated) have been shown to break down organic compounds within the soil, groundwater, and wastewater.

Groundwater and subsurface soil typically has been treated by injecting reactant(s), with or without a catalyst(s), within an aqueous mixture, slurry, or suspension into the subsurface. Injection into the subsurface is accomplished by gravity feed or the use of a pump(s) to increase well head pressure. This results in the subsurface dispersion of the reactant(s) within the area of the injection well.

Another method for in situ treatment of groundwater includes the excavation of a trench at or beyond a subsurface plume of organic and/or inorganic contaminant(s). The trench is filled with reactant(s) and a permeable media(s) (i.e. sand) for the plume to flow through, subsequently reacting all oxidizable organic and/or inorganic compounds that come into contact with the reactant(s).

The methods used for ex situ treatment or in situ treatment of surface contamination, water or soil, typically involves the direct application of the reactant(s) to the hazardous organic compound(s). In the case of ex situ surface soil treatment, the soil is often times mixed or tilled to ensure contact of the reactant(s) with the hazardous organic compound(s).

Meeting USEPA cleanup criteria with these reactants and methods of the prior art has been found to be difficult, costly, and even impossible. With some of these current methods and reactants, there has been questionable showing that their application results in the effective or efficient removal of contaminants.

Current methods involving the use of peroxide group(s) (i.e. hydrogen peroxide) in conjunction with iron salt catalyst (s) have shown to be relatively inefficient, often resulting in incomplete contaminant oxidation. Hydrogen peroxide in particular has been found to lack persistence in contaminated

soils and groundwater due to rapid dissociation. Many of these current employed reactants are hazardous and difficult to handle.

Recently, the use of permanganate(s) has been found to be a more effective oxidizing agent of hazardous organic compound(s). However, known methods to use that ability to actually remediate a site requires exceedingly large quantities of permanganate(s) to overcome the natural oxidant demand exerted by the soil, thereby limiting the percentage available for oxidizing the hazardous organic compound(s). Large amounts of permanganate(s) are thus required per unit of soil and groundwater volume, limiting the application of this technology due to high cost. Additionally, a product of the permanganate(s) oxidation reaction is solid manganese dioxide which precipitates and clogs the soil or aquifer, resulting in a reduced permeability of the soil to water. Thus reducing the hydraulic conductivity thereof, and thereby inhibiting oxidant access to the entire contaminated site; rendering treatment of the soil and hazardous organic compounds incomplete. Further disadvantages of using permanganate(s) alone and in large quantities for subsurface remediation includes the formation of soluble manganese compounds in groundwater that may exceed drinking water standards. For this and the foregoing reasons, attempts to date to use permanganate(s) for in situ remedial applications have not been fully successful.

More recently, attempts have been made to resolve the disadvantages associated with the use of permanganate(s) by incorporating persulfate(s) oxidants into the in situ application. U.S. Pat. No. 6,474,908. The theory relied on therein utilizes the persulfate(s) to satisfy the total oxidant demand of the selected environment (soil, water, sludge, etc.) and then follow up with the permanganate(s) to treat target hazardous organic constituents. However, the total amount of permanganate(s) and persulfate(s) required to treat a large area is still excessive and the extent to which the reactant(s) travel in the aquifer before being spent or reacted is insufficient.

Because of these limitations of art before the present invention, there is a need for a method and reactant(s) for treating hazardous organic contaminant(s) in soil, sludge, groundwater, surface water, and wastewater that does not require electro-osmosis, heat, or inefficient metallic catalyst(s). What is needed are materials that are easy to handle, persistent in the zone(s) having the contaminant(s), and react with the contaminant(s) to form innocuous materials.

SUMMARY OF THE INVENTION

The present invention provides a method and reactant(s) for treating hazardous organic contaminant(s) in soil, sludge, groundwater, surface water, and wastewater that does not require electro-osmosis, heat, or inefficient metallic catalyst(s), provides for easy handling, persistent in the zone(s) having the contaminant(s), and reactive with the contaminant(s) to form innocuous materials.

The present invention relates to an environmental reactant(s) and process for the remediation of soil and water whether the contamination is a surface or subsurface contaminant. More specifically, an encapsulated reactant(s) and methods for controlling the release and/or distribution of the reactant(s) provides a means for remediation of soil, water, wastewater, and/or other environmental remediation and/or treatment for in situ or ex situ processes.

The controlled release and/or distribution of the reactant(s) is manipulated via an encapsulating coating which targets contaminants or specific organic compounds in the environmental media being treated. The reactants may be oxidants,

catalysts, chelants, transition metal amine complexes, combinations thereof, and/or other chemical constituents that effectuate a reaction with the targeted compounds. The reaction between the encapsulated reactant(s) and the targeted organic compounds renders the media being treated to have less hazardous characteristics.

The encapsulated reactant of the present invention may have a single reactant contained within a single encapsulant, a plurality of reactants contained within a single encapsulant, or a plurality of reactants contained within a plurality of encapsulants. An outer encapsulant provides for the targeting characteristic of the encapsulated reactant by masking, protecting, stabilizing, delaying, and/or controlling the release and/or distribution of the reactant(s) contained within. In a preferred embodiment, the outer encapsulant is substantially oleophilic (i.e. has a stronger affinity for oils rather than water) which saves the reactant from reacting with water or untargeted constituents in the media being treated. Additionally, the outer encapsulant is substantially reactive, permeable and/or dissolvable with at least one of the target compound(s) being remediated. Therefore, when the encapsulated reactant is contacted with or exposed to the contaminants it dissolves, reacts, or absorbs at least one of the targeted compound(s) found in the media and exposes at least one reactant to the targeted compounds where it may react.

The encapsulated reactant typically has an organic compound in the outermost encapsulant providing the desired oleophilic and hydrophobic characteristics. The reactants contained within the encapsulant may be a variety of reactants such as catalysts, chelants, transition metal amine complexes, oxidants, or other reactants. The encapsulated reactant of the present invention may be used to treat a variety of environmental media having a variety of contaminants.

The encapsulated reactants of the present invention can be used to treat soil, water, wastewater, silt, clay, etc. either in situ or ex situ. Different groups of encapsulated reactants having different reactants and/or different outermost encapsulants can be introduced into the media simultaneously, in discrete time intervals, at the same location, or at alternate locations. Such applications provide a means for effectuating a single reaction or multiple reactions, either in series or parallel toward a desired final media state.

BRIEF DESCRIPTION OF THE DRAWINGS

FIG. 1 is a cross-sectional view of an embodiment of the encapsulated reactant of the present invention showing one reactant within an encapsulant.

FIG. 2 is a cross-sectional view of an embodiment of the encapsulated reactant of the present invention showing a first and second reactant within a first and second encapsulant respectively.

FIG. 3 is a cross-sectional view of an embodiment of the encapsulated reactant of the present invention showing a plurality or reactants within a plurality of encapsulants.

DETAILED DESCRIPTION OF THE INVENTION

The present invention provides encapsulated reactant(s) and methods for controlling the release and/or distribution of one or more reactants that provide for methods of soil, water, water treatment, and/or other environmental remediation and/or treatment. The term water as used herein refers to water in a broad sense and incorporates natural solutes. Water is considered to be a universal solvent and has hardness, metals, and a variety of minerals and salts naturally dissolved and/or ionized therein. Therefore, water includes solutes except for

selected contaminants and inerts. The encapsulated reactants of the present invention may be used in in situ or ex situ processes. The controlled release and/or distribution of the reactant(s) is manipulated via an encapsulating coating to target contaminants or specific organic compounds in the media being treated. The encapsulated reactants may be oxidants, catalysts, chelants, transition metal amine complexes, combinations thereof, and/or other constituents that effectuate an initial, intermediate, and/or final reaction with the organic compound(s) being targeted. The reaction between the encapsulated reactant(s) and the targeted organic compounds renders the media being treated to have less hazardous characteristics. As used herein, the term "encapsulated" means having a form of protective enclosure and includes all forms of encapsulants and coatings and includes micro-encapsulants. The encapsulated reactant(s) of the present invention are depicted in the various Figures which are selected solely for the purpose of illustrating the present invention. Other and different encapsulated reactant(s) may utilize the inventive features described herein. Reference to the Figures showing several embodiments of the presently claimed invention is made to describe the presently claimed invention and not to limit the scope of the claims herein.

FIG. 1 shows a cross-sectional view of encapsulated reactant **10** of the present invention showing one reactant **11** within encapsulant **12**. Outer encapsulant **12** provides for the targeting of organic constituents within the media being treated by masking, protecting, stabilizing, delaying, and/or controlling the release and/or distribution of reactant **11**. Targeting is accomplished by having reactant **11** substantially isolated from the media and released or exposed to the contaminants or targeted organic compounds when encapsulated reactant **10** encounters the contaminants within the media being treated. Thus, encapsulant **12** saves reactant **11** from reacting with water or untargeted constituents in the media being treated so that reactant **11** remains substantially unreacted until contacting the targeted constituents. Therefore, reactant **11** is available for breaking down the targeted constituents when encapsulated reactant **10** encounters the targeted constituents within the media being treated.

The outer surface of outer encapsulant **12** contacts the media being treated and the inner surface of encapsulant **12** contacts reactant **11**. Therefore, encapsulant **12** needs be substantially nonreacting, impermeable and/or nondissolving with the media being treated and reactant **11** (i.e., if media is water then encapsulant **12** is substantially water resistant). Additionally, encapsulant **12** needs be substantially reactive, permeable and/or dissolvable with at least one of the target organic compound(s) being treated. Thus, the composition of encapsulant **12** depends on the composition of reactant **11**, the media being treated, and the targeted constituents.

Typically, in in situ remediation the media being treated is either water or has water moving within, such as soil. Therefore, outer encapsulant **12** needs be substantially nonreacting, impermeable and/or nondissolving with water. At the same time, encapsulant **12** needs be soluble, reactive, and/or permeable to at least one of the targeted compound(s) found in the media or environment being treated. The targeted constituents being remediated typically have at least one organic compound and therefore encapsulant **12** typically is soluble, reactive, and/or permeable to at least one targeted organic compound within the zone of contamination in the media. At least one targeted organic compound can permeate, react, or dissolve with encapsulant **12**.

Encapsulant **12** is characterized by having one or more of a plurality of mechanisms for releasing and/or contacting reactant **11** with at least one targeted compound. One mechanism

in which encapsulant **12** may expose reactant **11** to targeted compounds is where at least one targeted organic compound permeates through encapsulant **12** causing an internal pressure of encapsulated reactant **10** to reach a level suitable for reverse osmosis, dispersing reactant **11** to the zone of contamination. A second mechanism involves encapsulant **12** dissolving and/or rupturing with at least one targeted organic compound releasing the encapsulated compounds or reactant **11** to the zone of contamination. Additionally, a "chemical trigger" can be incorporated within encapsulant **12** to allow for accelerated degradation of the encapsulant **12** and/or release of reactant **11** upon contact with the targeted compound groups being treated. The thickness, permeability, and/or composition of encapsulant **12** can be adjusted to control the rate at which at least one targeted compound penetrates, dissolves, and/or reacts with encapsulant **12** distributing and/or diffusing reactant **11**. Additionally, encapsulant **12** may be designed to sustain its characteristics for a period of time (days, weeks, or even months) when in contact with water. This characteristic of encapsulant **12** allows unreacted encapsulated reactants **10** to dissipate in the event they are not contacted with a targeted compound. Furthermore, encapsulant **12** may have the characteristic of not dissolving in a targeted compound or water, at least for an extended period of time, but being permeable to targeted compounds. Such an embodiment allows encapsulated reactant **10** to persist for an extended period of time allowing the targeted compounds to permeate through encapsulant **12** and react with reactant **11**. The foregoing mechanisms and embodiments of the encapsulated reactant of the present invention are provided as descriptive examples only and are not to serve as limiting the claims herein.

Environmental remediation, water treatment, and/or wastewater treatment often times seeks to, via at least the final reaction, oxidize contaminants or compounds containing at least one oxidizable aliphatic or aromatic compound and/or functional group (e.g., chlorinated organics, aliphatic organics, aromatic organics, etc.). Examples include, but not limited to, atrazine, benzene, butyl mercaptan, chlorobenzene, chloroethylvinyl ether, chloromethyl methyl ether, chlorophenol, chrysene, cyanide ion or organic cyanides, dichlorophenol, dichlorobenzene, dichloroethane, dichloroethene, dichloropropane, dichloropropene, ethyl alcohol, ethylbenzene, ethylene glycol, ethyl mercaptan, hydrogen sulfide, isopropyl alcohol, Lindane™, methylene chloride, methyl tert-butyl ether, naphthalene, nitrobenzene, nitrophenol, pentachlorophenol, phenanthrene, phenol, propylene, propylene glycol, Silvex™, Simazine™, sodium sulfide, tetrachloroethane, tetrachloroethene, toluene, trichlorobenzene, trichloroethane, trichloroethene, trichlorophenol, vinyl chloride, xylene, etc). Many, if not most, of these contaminants are organic based and exhibit some properties similar as oil.

Encapsulant **12** typically has a hydrophobic or water resistant compound and is substantially non-reactive with adjacent reactant **11** and is substantially permeable or dissolvable with at least one targeted organic compound. Therefore, encapsulant **12** is often times desired to be both substantially hydrophobic and substantially oleophilic, since many if not most of the targeted compounds exhibit similar properties as oil. Compounds found to have such attributes or properties desired in outer encapsulant **12** have been determined to include those that comprise polymers of: ethylene, propylene, isobutylene, diisobutylene, styrene, ethylvinylbenzene, vinyltoluene, and dicyclopentadiene; esters of acrylic and methacrylic acid, including the methyl, ethyl, propyl, isopropyl, butyl, sec-butyl, tert-butyl, amyl, hexyl, octyl, ethylhexyl, decyl, dedecyl, cyclohexyl, isobornyl, phenyl, benzyl,

alkylphenyl, ethoxymethyl, ethoxyethyl, ethoxypropyl, propoxymethyl, propoxyethyl, propoxpropyl, ethoxyphenyl, ethoxybenzyl, and ethoxycyclohexyl esters; vinyl esters, including vinyl acetate, vinyl propionate, vinyl butyrate; vinyl ketones, including vinyl methyl ketone, vinyl ethyl ketone, vinyl isopropyl ketone, and methyl isopropenyl ketone; vinyl ethers, including vinyl methyl ether, vinyl ethyl ether, vinyl propyl ether, and vinyl isobutyl ether; diallyl phthalate, ethylene glycol diacrylate, ethylene glycol dimethacrylate, trimethylolpropanetrimethacrylate, divinylsulfone; polyvinyl and polyallyl ethers of ethylene glycol, of glycerol, of pentaerythritol, of diethyleneglycol, of mono-thio- and dithioderivatives of glycols, and of resorcinol; divinylketone, divinylsulfide, allyl acrylate, diallyl maleate, diallyl fumarate, diallyl succinate, diallyl carbonate, diallyl malonate, diallyl oxalate, diallyl adipate, diallyl sebacate, divinyl sebacate, diallyl tartrate, diallyl silicate, triallyl tricarboxylate, triallyl aconitate, triallyl citrate, triallyl phosphate, divinyl naphthalene, divinylbenzene, trivinylbenzene; alkyldivinylbenzenes having from 1 to 4 alkyl groups of 1 to 2 carbon atoms substituted on the benzene nucleus; trivinyl-naphthalenes, and/or polyvinylanthracenes, etc., and the like. Other organic compounds such as cellulose, wax (i.e. canola wax), polylactic acid, and combinations and derivatives thereof have been found to exhibit the desired attributes of outer encapsulant **12**. These constituents are presented herein as examples of compounds that may be incorporated into encapsulant **12** and are not to serve as a limitation on the composition of encapsulant **12**.

In certain exemplary embodiments, encapsulant **12** can range from approximately 10% to approximately 80% of the total weight of encapsulated reactant **10**. Additionally, for subsurface applications, encapsulant **12** may advantageously have an outer dimension of less than 50 μm , and more advantageously less than 10 μm . Such a configuration is advantageous for groundwater treatment. Therefore, embodiments of encapsulated reactant **10** may be referred to as microencapsulants. Alternatively, encapsulant **12** may have a large outer dimension of up to an inch, or even more. Such larger size may be advantageous for surface water or waste water treatment.

Reactant **11** is selected to react with at least one target constituent in the media being remediated. Reactant **11** may comprise one or more oxidant constituents that can comprise: peroxides, permanganates, persulfates, hypochlorite solutions, ozone, and/or fluorine, etc. Peroxide, such as hydrogen peroxide, sodium peroxide, calcium peroxide, potassium peroxide, and/or magnesium peroxide, etc, has been found effective in oxidizing many organic contaminants. Reactant **11** may comprise an oxidant suspended in an aqueous catalyst solution comprising a soluble metallic salt(s) (e.g., ferrous sulfate), chelate(s), and/or buffering agent(s). In certain environments, it may be advantageous to have the aqueous catalyst solution to have a circumneutral pH (e.g., a pH of approximately 5.5 to approximately 8.5, including all values and subranges there between). In other environments, an intermediate reaction between the aqueous catalyst solution and reactant **11** can be pH-independent. In still other environments, an intermediate reaction between the aqueous catalyst solution and reactant **11** can be pH-dependent.

FIG. 2 shows a cross-sectional view of an embodiment of encapsulated reactant **20** of the present invention showing a first reactant **21** and a second reactant **23** within a first encapsulant **22** and second encapsulant **24** respectively. Reactant **21** may be a core oxidant or other reactant while reactant **23** may be the same or a different constituent (e.g. a catalyst) trapped between inner encapsulant **22** and the most outer

encapsulant **24**. In one embodiment of encapsulated reactant **20**, a particle can comprise an inner oxidant core **21**, surrounded by, yet potentially separated via encapsulant **22** from, an outer catalyst **23** that is surrounded by an outermost encapsulating coating **24**. Thus, the core oxidant **21** can be segregated from the catalyst by the internal coating **22**, and the catalyst can be segregated from the external environment by the secondary external coating or encapsulant **24**. Alternatively, particle or reactant **21** can be an inner catalyst core, surrounded by, yet potentially separated from, an outer encapsulated oxidant **23**. Encapsulating multiple constituents into one particle can provide a means for ensuring that the encapsulated constituents are released within the subterranean environment in the presence of one another to produce the desired intermediate reaction, and thus, the desired final reaction. This approach can provide particular utility in heterogeneous subterranean environments that extend over a relatively large area and/or volume. In this embodiment, encapsulant **24** needs to have similar characteristics as encapsulant **12**, since both are exposed to the media that is being treated. However, inner encapsulant **22** may be permeable to water or the media in which it is distributed since it does not contact the media until the media penetrates outer encapsulant **24**. Therefore, encapsulant **22** only need be non-reactive with reactants **21** and **23**.

FIG. 3 shows a cross-sectional view of encapsulated reactant **30** of the present invention showing a first reactant **31** and a second reactant **32** within a first encapsulant **33**. A third reactant **34** is between first or inner encapsulant **33** and second encapsulant **35**. Reactants **31** and **32** may be a core oxidant or other reactant and a catalyst, chelant, transition metal amine complex, other oxidant, or other reactant. Reactant **34** may be the same or a different constituent than reactants **31** and **32** trapped between inner encapsulant **33** and the most outer encapsulant **35**. Encapsulating multiple constituents or reactants **31**, **32**, and **34** into one particle or encapsulated reactant **30** can provide a means for contacting the reactants **31**, **32**, **34** in a specific sequence to produce the desired intermediate reaction, and thus, the desired final reaction. In this embodiment, encapsulant **35** needs to have similar characteristics as encapsulant **12**, since both are exposed to the media that is being treated. However, inner encapsulant **33** may be permeable to water or the media in which it is distributed since it does not contact the media until the media penetrates outer encapsulant **35**. Therefore, encapsulant **33** only need be non-reactive with reactants **31**, **32** and **34**. As shown here, encapsulated reactant **30** can have a variety of reactants and encapsulants such that an outer encapsulant **35** saves the contained reactants and encapsulants until encountering a target constituent. In such an embodiment, a plurality of reactants, chelants, transition metal amine complexes, and/or catalysts can be introduced into environment having targeted compounds in a controlled manner with a plurality of encapsulants.

The encapsulated reactant(s) of the present invention may be produced by first grinding or comminution: media milling (ball milling, attritor milling, wet or dry processing, etc.); medialess milling (hammer mills, cryogenic hammer mills, jet milling, jaw crushing, high pressure dispersion milling, microfluidization, etc.); screening and/or sieving; air classification, etc. the reactant(s). The reactant(s) can then be encapsulated or coated by spray drying and prilling; dry powder coating; melt coating, deposition, etc.

The encapsulated reactant of the present invention may be used in treating surface water, groundwater and/or soil in situ or ex situ. For surface water and surface soil treatment, the encapsulated reactants are typically placed directly on the

zone of contamination or in the path of migration of the contaminants or targeted compounds. For in situ treatment of groundwater or soil, the encapsulated reactants are typically injected into the zone of contamination through a well. The injection may be accomplished by gravity feed or by forcing the encapsulated reactants into the subsurface with a pump. In certain exemplary embodiments, the encapsulated reactant can be injected (via an aqueous media) into the subterranean environment at pressures ranging up to approximately 8 psig. The injection pressure can be dependant on the subterranean formation and/or the ability of the subterranean formation to accept the injected solution without substantial subterranean fractures and/or preferential pathways being created. In some subterranean formations it may be practical to inject the encapsulated reactant at a head pressure in excess of 8 psig.

The effective radius and/or path of subterranean influence, in regards to the above referenced embodiment, can be monitored by utilizing tracer agents (e.g., bromide, chloride, rhodamine, fluorescein, and/or sulfur hexafluoride, etc.). The tracer can be compatible with site conditions and/or one or more of the constituents being employed. The tracer can be placed in the same aqueous media as the encapsulated reactants or particles and/or within the particles and/or their coating(s) or encapsulant(s). With respect to subterranean background levels (of, for example, conductivity values and/or specific ion levels), tracer concentrations preferably range from approximately 10 to 100 times greater.

Once the mixture is injected into the subterranean environment, environmental monitoring wells can be monitored and/or sampled for tracer detection (environmental monitoring wells can be strategically located within and/or adjacent to the area(s) of potential chemical impact and/or interest). As suggested above, the tracer can be detected by, for example, monitoring the conductivity levels of the groundwater compared against native background levels or by utilizing an ion specific electrode. An effective radius of subterranean influence can be assessed by measuring and/or comparing specific groundwater parameters (e.g., dissolved oxygen levels, oxidation reduction potential, salinity, and/or pH levels, etc.) before, during, and/or after the injection process. Fluctuations in these parameters can be observed in subterranean areas where an oxidation reaction has occurred.

Certain exemplary embodiments can provide a treatment technique for any and/or all of the above listed chemical contaminant(s) within a variety of medias and/or subterranean environments comprising: silts, clays, sands, fractured bedrock, karsts, organics, and/or tills. Via certain exemplary embodiments, in situ environmental remediation within subsurface bedrock and/or fractured bedrock networks can be greatly increased due to the above mentioned adjustable properties of the particle and/or aqueous mixture.

Alternatively, a trench may be dug down flow of a plume of contamination in the aquifer and filled with the encapsulated reactants of the present invention. In this application, the outer encapsulant may be designed to remain intact for an extended period of time (i.e. years) and as the plume of contamination passes through the trench, the encapsulant allows the targeted constituents to react with the reactant(s). Whether injected into the subterranean environment or placed in a trench around the plume of contamination, a reactive oxidant can be kept segregated from a metallic salt(s), chelate(s), and/or buffering agent(s) by internal encapsulation, hence deferring any intermediate reaction there between. Once the desired time or condition of exposure to an aqueous environment has elapsed and/or a "triggered" exposure to the contaminant(s) of concern has occurred, the outer encapsulant can release the oxidant into the presence of the metallic salt

(s), chelate(s), and/or buffering agent(s), allowing any intermediate reaction there between to occur, and thereby resulting in the production of oxidizing free radicals, hydroxyl radicals, sulfate radicals, or the like possibly by virtue of a mimicked Fenton's reaction. The radicals can undergo a final reaction with the contaminant(s) of concern, oxidizing the contaminant compound(s) (typically exothermically), oftentimes into final products of carbon dioxide and water.

The method of the present invention uses a combination of one or more encapsulated oxidant(s), metallic salt catalyst(s), and/or chelating agent(s) under conditions which enable oxidation of most, and preferably substantially all, targeted volatile, semi-volatile, or non-volatile organic and/or inorganic compounds in soil, rock, sludge, water, groundwater, and/or wastewater (in situ or ex situ) rendering them less harmless. In one embodiment of the present invention, a combination of encapsulated oxidant(s) (a persulfate group—potassium or sodium), catalyst(s) (iron salt), and chelating compound(s) (EDTA) are injected into the subsurface simultaneously within an aqueous mixture, slurry, or suspension. For instance, the combination of encapsulated reactants may include a first group of encapsulated reactants having persulfate and a second group of encapsulated reactants having ferrous sulfate. Injection into the subsurface can be gravity fed or under pressure, both resulting in the dispersion of the encapsulated compounds within the targeted area of concern including both up-gradient and down-gradient placements. The encapsulated compounds of the present invention will remain substantially unreactive within the subsurface until contact with the target contaminant occurs. Upon contact, the coatings of the encapsulated substances will begin to degrade, weaken, or become more permeable until the encapsulated compound is released in the presence of the target contaminant(s). The released oxidant and/or catalyst and/or chelating agent react independently or in combination, resulting ultimately in the partial or complete oxidation of the target contaminant(s). The final by-products of the oxidation reaction are typically carbon dioxide, water, a salt group (depending on oxidant of choice), and an inorganic chloride ion (if contaminant is chlorinated).

In another selected embodiment of the present invention, a reactant having sodium persulfate and optionally a catalyst, i.e. one or more metallic salts, is contained within an encapsulant having cellulose, wax, polylactic acid, or combinations or derivatives thereof. Such an embodiment has been found to provide persistence of the reactant(s) in water until the encapsulated reactants encounter the targeted compounds at which point the reactant(s) break down the targeted constituents rendering them less harmless.

The outer encapsulant surrounding the reactant(s) can be designed to delay the chemical reaction between reactant and targeted contaminant(s) to allow for an extended coverage area and/or time when applied to subsurface treatment. Additionally, the size of the encapsulated reactant can be preselected to allow for less restricted flow through the subterranean environment, and thereby can provide for extended coverage areas and/or reduced loading restrictions. Encapsulated reactants can also be engineered to rise, sink, and/or be suspended within subterranean aqueous environments by adjusting buoyancy and/or specific gravities of the encapsulated reactant(s) of the present invention. Buoyancy can be adjusted by trapping a small gas bubble within the encapsulation, to off-set the density of one or more constituents. A more buoyant (overall density of encapsulation ("solute") less than aqueous media ("solution")) encapsulated particle can be utilized when treating light non-aqueous phase liquid (s) chemical(s) of concern, which can be more abundant

11

toward the upper approximately 25% of the aqueous media. A less buoyant (overall density of encapsulation (“solute”) greater than aqueous media (“solution”)) encapsulated particle can be utilized when treating dense non-aqueous phase liquid(s) chemical(s) of concern, which can be more abundant in the lower approximately 25% of the aqueous media.

The advantages of the present invention over the prior art are many. The substantially hydrophobic and substantially oleophilic outer encapsulant in the encapsulated reactants provides a means to control the release of reactant(s) until contact occurs with the targeted contaminants. This provides highly efficient contaminant destruction ratios using lesser amounts of oxidant(s), catalyst(s), and/or chelating agents. It greatly increased areas of influence, both horizontally and vertically, from point of application or injection. It provides more capability of controlling the encapsulated reactant’s path of travel or distance since the properties of the outer encapsulant may be modified. The encapsulated reactant’s size, surface area, buoyancy, specific gravity, density, etc. can be manipulated to engineer encapsulated reactant(s) to float, suspend, or sink within the subsurface providing an increased means of reaching targeted contaminants.

We claim:

1. A process for insitu treating contaminated water having at least one targeted constituent comprising:

insitu contacting said contaminated water with a plurality of encapsulated reactants, wherein each of said plurality of encapsulated reactants has an outer encapsulant and at least one inner reactant and said plurality of encapsulated reactants has a first group of encapsulated reactants wherein said inner reactant is persulfate and a second group of encapsulated reactants wherein said inner reactant is ferrous sulfate;

maintaining said encapsulated reactants in a substantially nonreacted state in said insitu environment until contacting said at least one targeted constituent;

permeating, dissolving, or reacting a plurality of said outer encapsulants with said at least one targeted constituent exposing at least a portion of said reactants to said at least one targeted constituent; and

reacting at least a portion of said exposed portion of reactants with said at least one targeted constituent.

2. The process of claim 1 wherein said encapsulated reactant comprises at least one encapsulant and at least one reactant, said at least one encapsulant having an outermost encapsulant forming an outer surface of said encapsulated reactant, said outermost encapsulant being substantially nonreacting, impermeable and nondissolving with water and having a structure and composition that is reactive, permeable and/or dissolvable with at least one targeted compound in said water.

3. The process of claim 1 wherein said outermost encapsulant has a constituent selected from the group consisting of cellulose, wax, polylactic acid, and combinations and derivatives thereof.

12

4. The process of claim 1 wherein said at least one reactant has an outermost reactant adjacent an inner wall of said outermost encapsulant, said outermost reactant being substantially nonreacting, impermeable and nondissolving with said outermost encapsulant, said outermost reactant having the capacity to contribute to a reaction with said at least one targeted compound.

5. The process of claim 1 wherein said outermost encapsulant is substantially oleophilic.

6. The process of claim 1 wherein said at least one reactant has a constituent selected from the group consisting of oxidant(s), catalyst(s), chelant(s), transition metal amine complex(es), and combinations thereof.

7. A process for insitu treating contaminated water having at least one targeted constituent comprising:

insitu contacting said contaminated water with a plurality of encapsulated reactants, wherein each of said plurality of encapsulated reactants has an outer encapsulant and at least one inner reactant and said at least one reactant further has an inner most reactant and said at least one encapsulant further has an inner most encapsulant, said inner most reactant is separated from said outermost reactant with said inner most encapsulant, said inner most encapsulant is substantially nonreacting, impermeable and nondissolving with said inner most reactant and said outer most reactant;

maintaining said encapsulated reactants in a substantially nonreacted state in said insitu environment until contacting said at least one targeted constituent;

permeating, dissolving, or reacting a plurality of said outer encapsulants with said at least one targeted constituent exposing at least a portion of said reactants to said at least one targeted constituent; and

reacting at least a portion of said exposed portion of reactants with said at least one targeted constituent.

8. The process of claim 7 wherein said outermost encapsulant has a constituent selected from the group consisting of cellulose, wax, polylactic acid, and combinations and derivatives thereof.

9. The process of claim 7 wherein said at least one reactant has an outermost reactant adjacent an inner wall of said outermost encapsulant, said outermost reactant being substantially nonreacting, impermeable and nondissolving with said outermost encapsulant, said outermost reactant having the capacity to contribute to a reaction with said at least one targeted compound.

10. The process of claim 7 wherein said outermost encapsulant is substantially oleophilic.

11. The process of claim 7 wherein said at least one reactant has a constituent selected from the group consisting of oxidant(s), catalyst(s), chelant(s), transition metal amine complex(es), and combinations thereof.

* * * * *